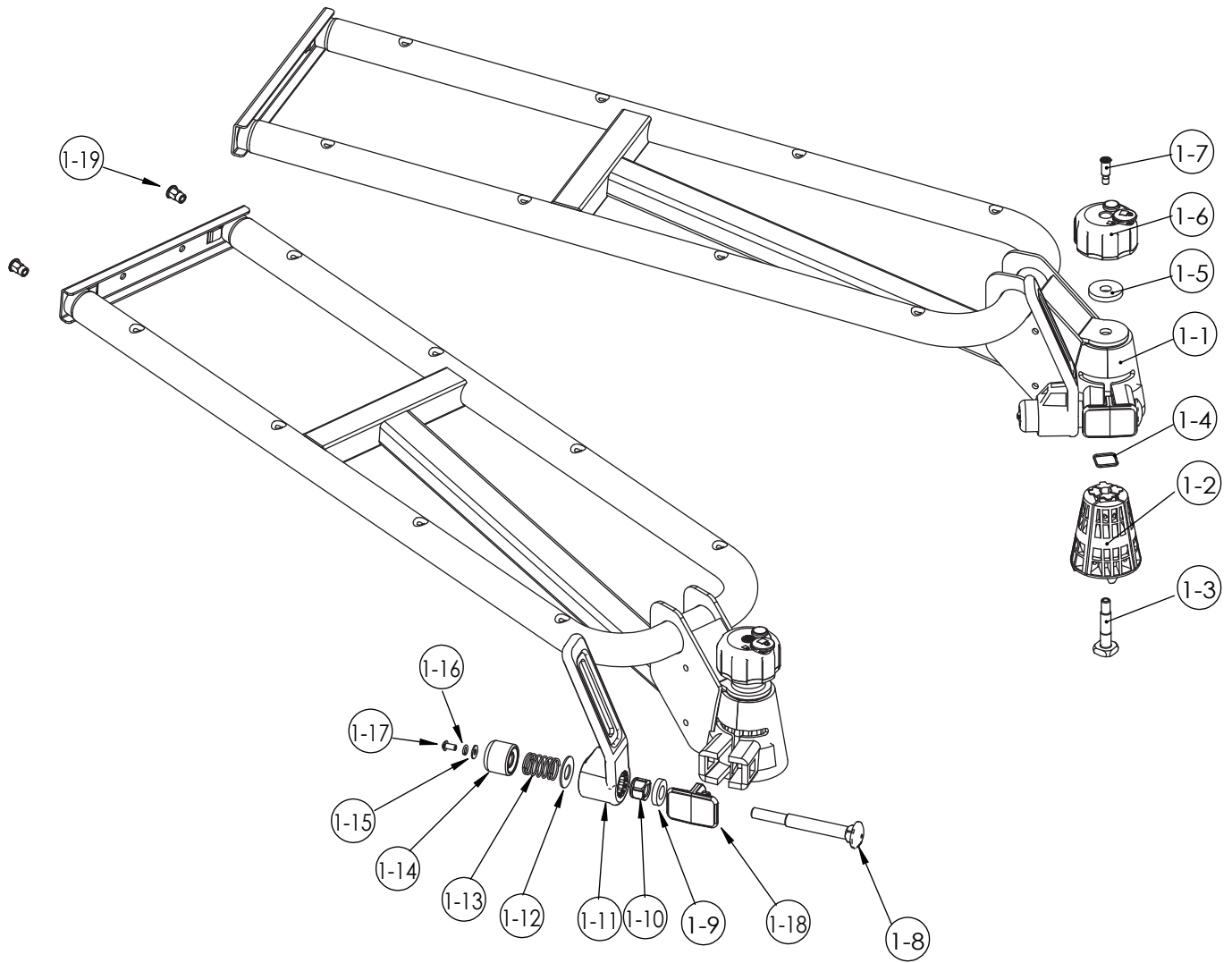
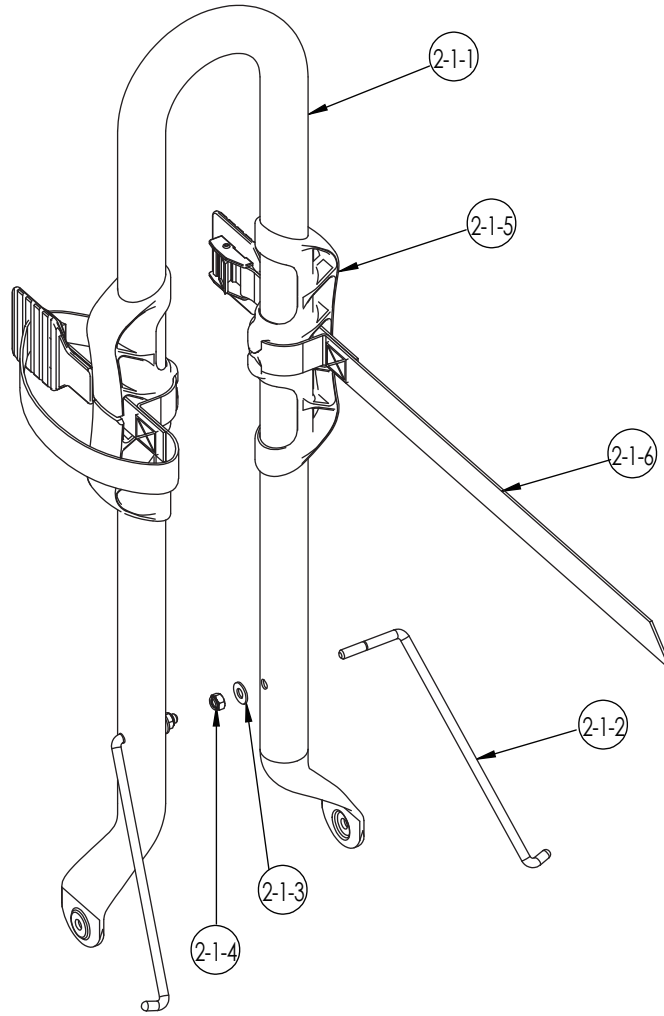


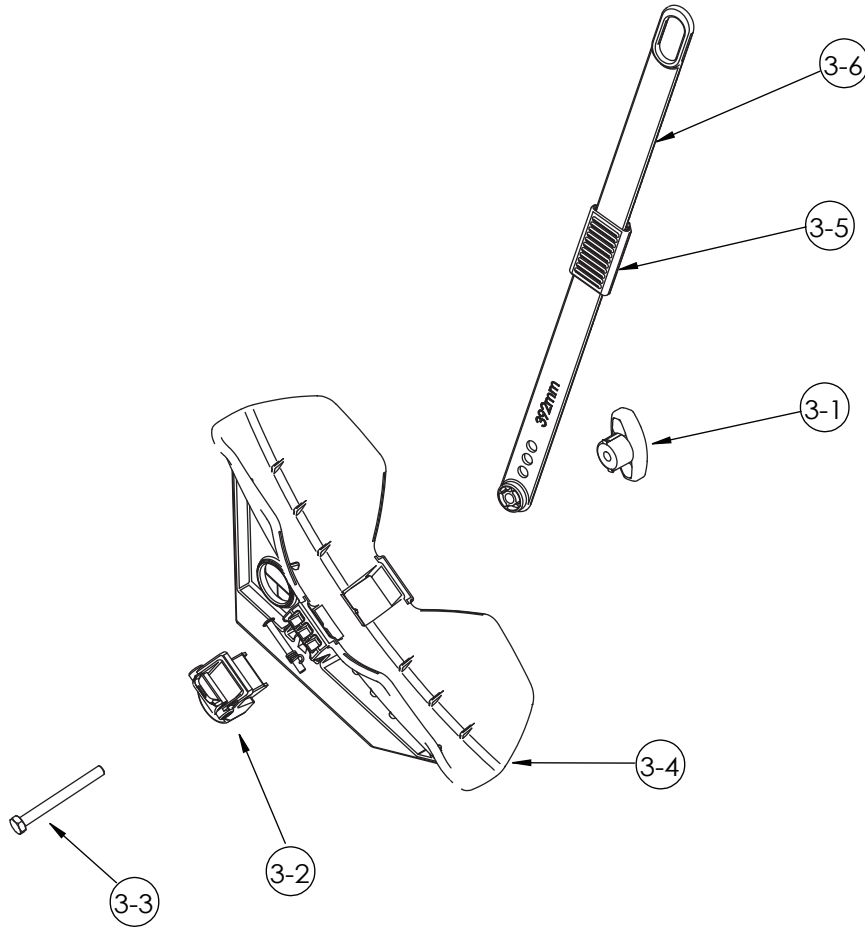
PART	DESCRIPTION	PART NUMBER	QTY.	PACK SIZE	PART	DESCRIPTION	PART NUMBER	QTY.	PACK SIZE
1	Foot assembly		1		21				
2	Platform assembly		2		22				
3	Bottom head screw M6x65mm	140-1106-029-04D	8		23				
4	Plastic washer	130-00445-01C	8		24				
5	Washer	142-1065-003-04D	8		25				
6	Nylock nut	141-0106-001-04D	8		26				
7	Wheel support assembly		8		27				
8	Light assembly	3505-00054-99C	1		28				
9	Washer	142-1065-003-04D	2		29				
10	Spring washer	142-2006-001-04D	2		30				
11	Bottom head screw M6x25mm	140-1106-005-04D	2		31				
12	Key	147-01905-99D	1		32				
13	Safety strap	3522-00197-03C	1		33				
14	T-wrench	132-00022-05C	1		34				
15	Allen key	144-00004-06D	1		35				
16					36				
17					37				
18					38				
19					39				
20					40				



PART	DESCRIPTION	PART NUMBER	QTY.	PACK SIZE	PART	DESCRIPTION	PART NUMBER	QTY.	PACK SIZE
1-1	Conic Foot Assembly		1						
1-2	Conical clamps	118-00146-00	4						
1-3	Square screw	140-0510-002-04D	1						
1-4	Square spring	145-00055-13D	1						
1-5	Washer	142-1105-003-04D	1						
1-6	Locking knob	3503-00127-99C	1						
1-7	Retainer	3509-00332-99C	1						
1-8	Carriage bolt M12	140-0112-008-04D	1						
1-9	Washer	142-1130-005-04D	1						
1-10	Nylock nut	141-0112-003-04D	1						
1-11	Wrench	3209-00369-16C	1						
1-12	Washer	142-1141-001-04D	1						
1-13	Spring	145-00034-13D	1						
1-14	Bushing	130-00728-01C	1						
1-15	Washer	142-1053-001-04D	1						
1-16	Spring washer	142-2005-001-04D	1						
1-17	Button head screw	140-1105-004-04D	1						
1-18	Conic protector	130-00609-01C	1						
1-19	Rivet nut	141-0606-001-19D	2						
1-20									

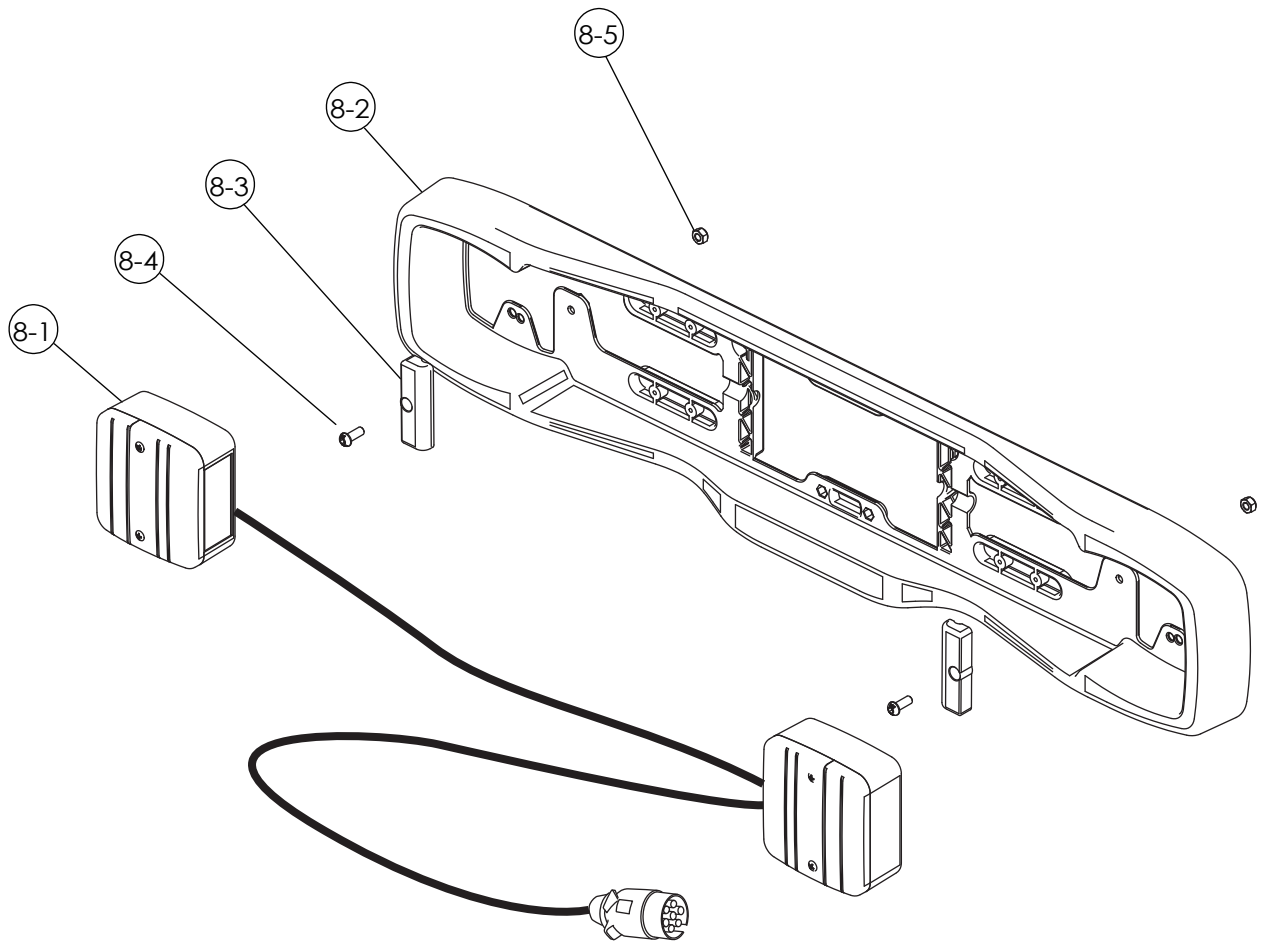


PART	DESCRIPTION	PART NUMBER	QTY.	PACK SIZE	PART	DESCRIPTION	PART NUMBER	QTY.	PACK SIZE
2-1-1	Vertical tube	3201-00401-00	1						
2-1-2	Adjustment rod	3209-00278-04D	2						
2-1-3	Washer	142-1050-001-04D	2						
2-1-4	Nylock nut	141-0105-001-04D	2						
2-1-5	U pad	130-00778-16C	2						
2-1-6	Strap sewing	3524-00268-01C	2						
2-1-7									
2-1-8									
2-1-9									



PART	DESCRIPTION	PART NUMBER	QTY.	PACK SIZE
3-1	T-knob	3509-00319-01C	4	
3-2	Ratchet assembly	3509-00341-16C	4	
3-3	Carriage bolt M6x65mm	140-0306-047-04D	4	
3-4	Wheel support	130-00790-16C	4	
3-5	Strap pad	130-00637-16C	4	
3-6	Ratchet strap	130-00590-01C	4	
3-7				
3-8				
3-9				
3-10				

PART	DESCRIPTION	PART NUMBER	QTY.	PACK SIZE



PART	DESCRIPTION	PART NUMBER	QTY.	PACK SIZE
8-1	Light(7-pin/DF-TK003) 1650mm	139-00126-01C	1	
8-2	Light board	3508-00808-99C	1	
8-3	License hook	130-00308-01C	2	
8-4	Bottom head screw M6x16mm	140-1106-031-04D	2	
8-5	Nylon nut	141-0106-001-04D	2	

PART	DESCRIPTION	PART NUMBER	QTY.	PACK SIZE